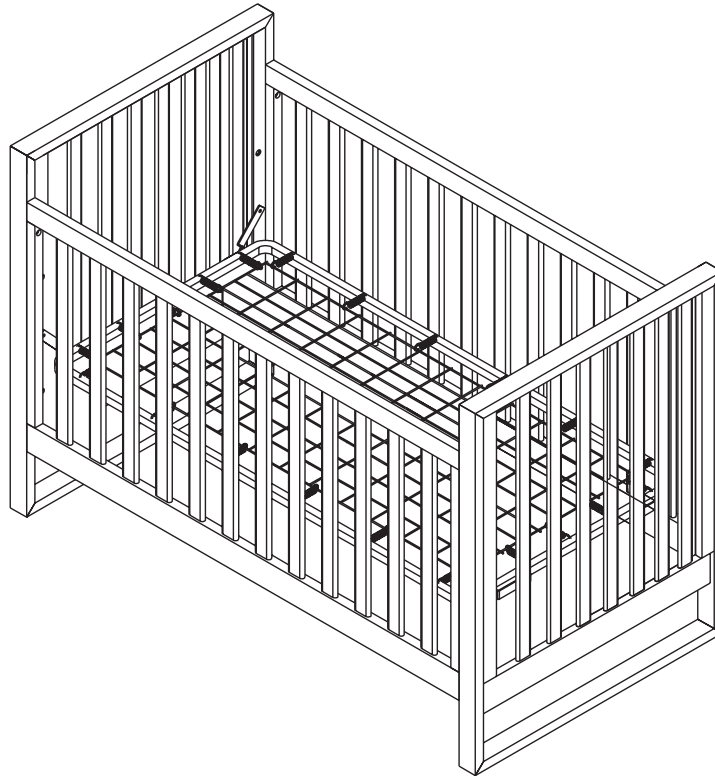


# SERENA & LILY

## Ludlow Crib Assembly Instructions



**CAUTION:** Any mattress used in this crib must be at least 27 ¼" (69 cm) by 51 5/8" (131 cm) with a thickness not exceeding 6" (15 cm). This crib conforms to applicable regulations promulgated by the Consumer Product Safety Commission. Do not use a water mattress on this crib.

**WARNING:** Failure to follow these warnings and assembly instructions could result in serious injury or death.

**KEEP INSTRUCTIONS FOR FUTURE USE.** Never use plastic shipping bags or other plastic film as mattress covers because they can cause suffocation.

Infants can suffocate in gaps between the crib sides and a mattress that is too small.

Infants can suffocate on soft bedding. Never add a pillow or comforter. Never place additional padding under an infant.

To reduce the risk of SIDS, pediatricians recommend healthy infants be placed on their backs to sleep, unless otherwise advised by your physician.

**STRANGULATION HAZARD:** Strings can cause strangulation! Do not place items with a string around a child's neck, such as hood strings or pacifier cords. Do not suspend strings over a crib or attach strings to toys.

To help prevent strangulation tighten all fasteners. A child can trap parts of the body or clothing on loose fasteners.

**DO NOT** place crib near window where cords from blinds or drapes may strangle a child

**FALL HAZARD:** When child is able to pull to a standing position, set mattress to lowest position and remove bumper pads, large toys and other objects that could serve as steps for climbing out.

Stop using crib when child begins to climb out or reaches the height of 35 in. (89cm).

Check this product for damaged hardware, loose joints, loose bolts or other fasteners, missing parts or sharp edges before and after assembly and frequently during use. Securely tighten loose bolts and other fasteners. Periodically check this product for any loose bolts and screws and tighten where needed.

**DO NOT** use crib if any parts are missing, damaged or broken. Contact Serena & Lily for replacement parts and instructional literature if needed.

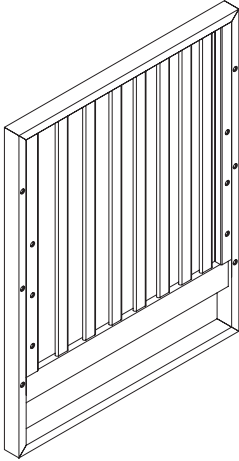
**DO NOT** substitute parts. Follow warnings on all products in a crib.

# SERENA & LILY

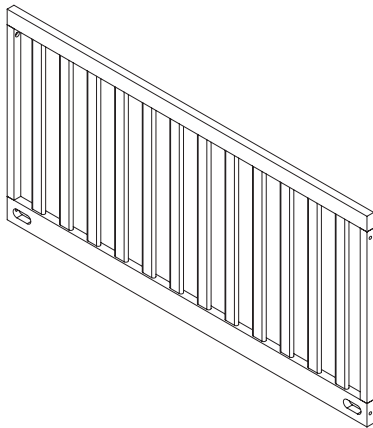
## Ludlow Crib Assembly Instructions

### PARTS ENCLOSED:

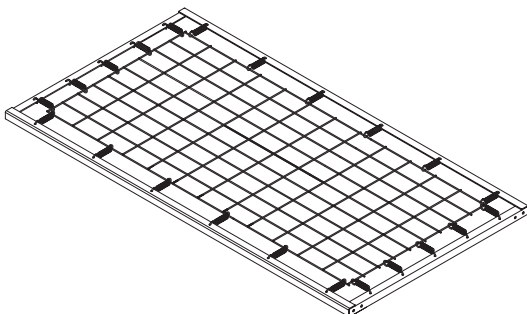
A. Headboard / Footboard (2)



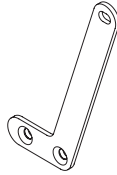
B. Side Rails (2)



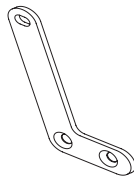
C. Mattress Support



D. Right Brackets (2)



E. Left Brackets (2)



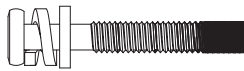
F. Flat Bolts (8)



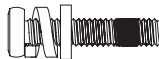
G. Hex Nuts (8)



H. Long Allen Bolt 50mm  
with Lock Washer & Flat Washers (4)



I. Short Allen Bolt 25mm  
with Lock Washer & Flat Washers (4)



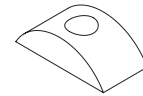
J. Short Allen Bolts (8)



K. Long Allen Bolt 65mm  
with Lock Washer & Flat Washers (4)



L. Half Moon Washers (4)



N. Allen Key

O. Wrench

# SERENA & LILY

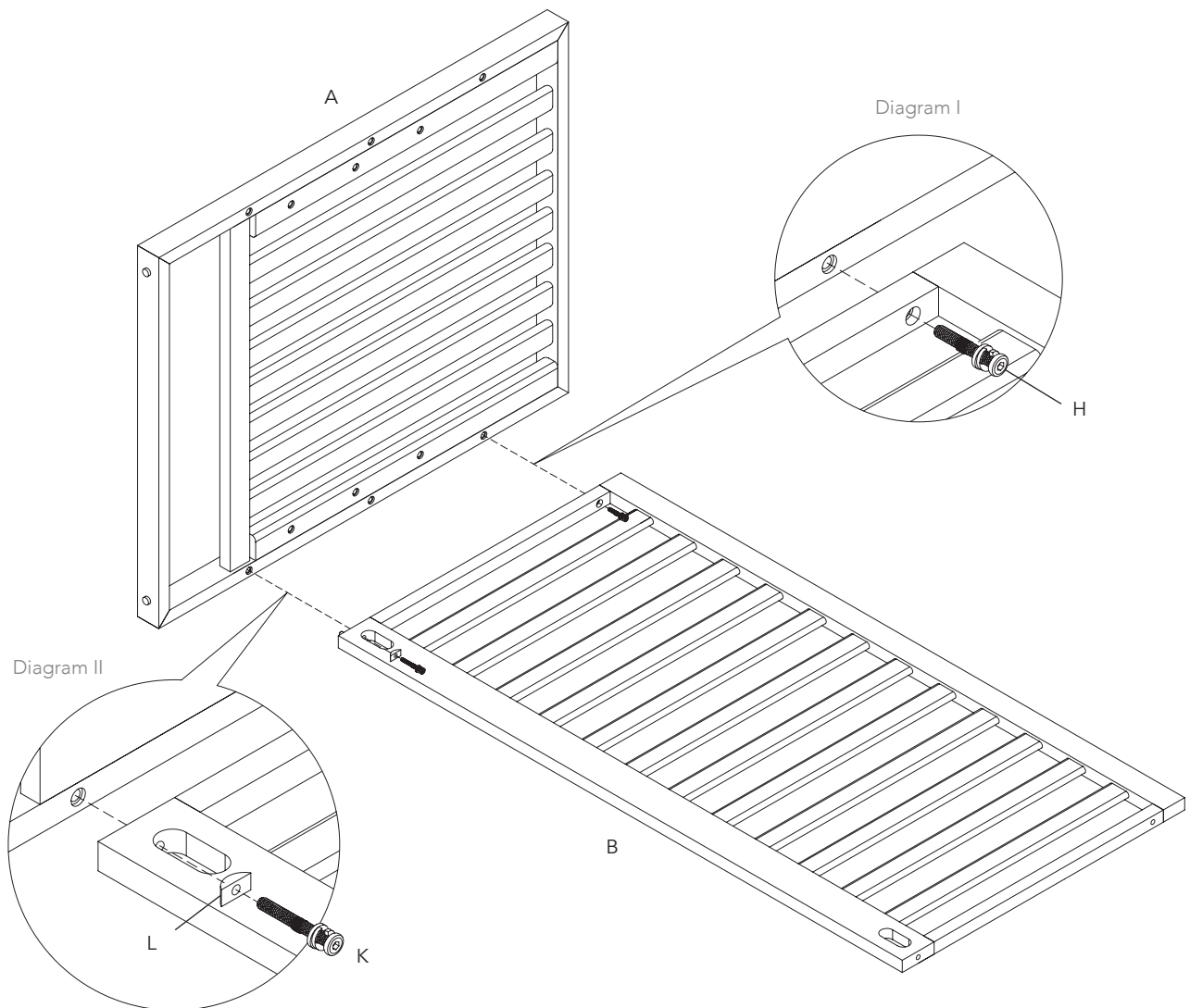
## Ludlow Crib Assembly Instructions

### BED FRAME ASSEMBLY:

1. See Diagram I. Attach the top of the Side Rail (B) to the Headboard (A) using the Long Allen 50mm with Lock Washer (H) & Half Moon Washer (L).

See Diagram II. Attach the bottom of the Side Rail (B) (note the cut-out) to the Headboard (A) by threading the Half Moon Washer (L) followed by the Long Allen 65mm with Lock Washer & Flat Washer (K).

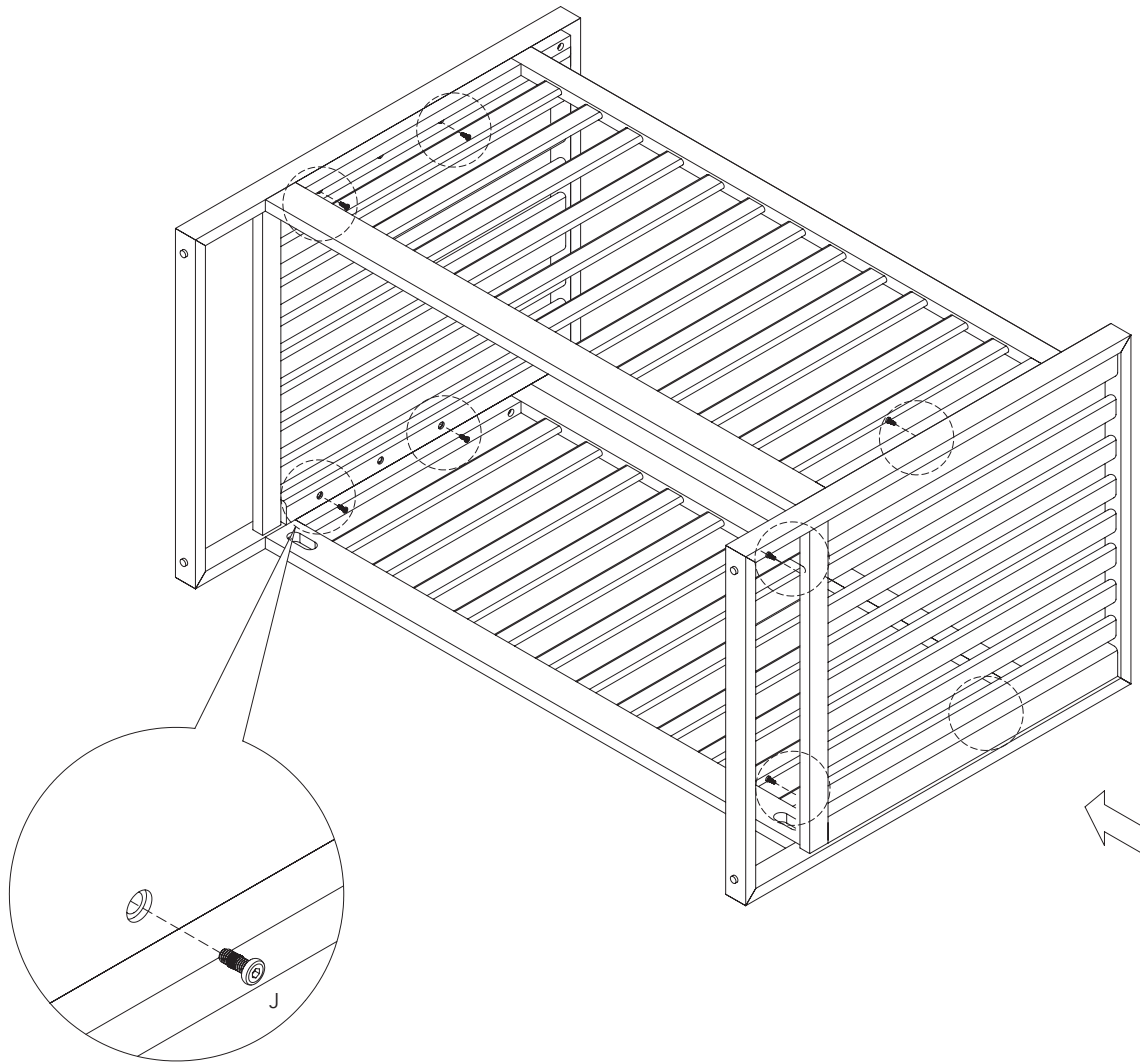
2. Repeat above steps to attach the Footboard (A) to Side rails (B).



# SERENA & LILY

## Ludlow Crib Assembly Instructions

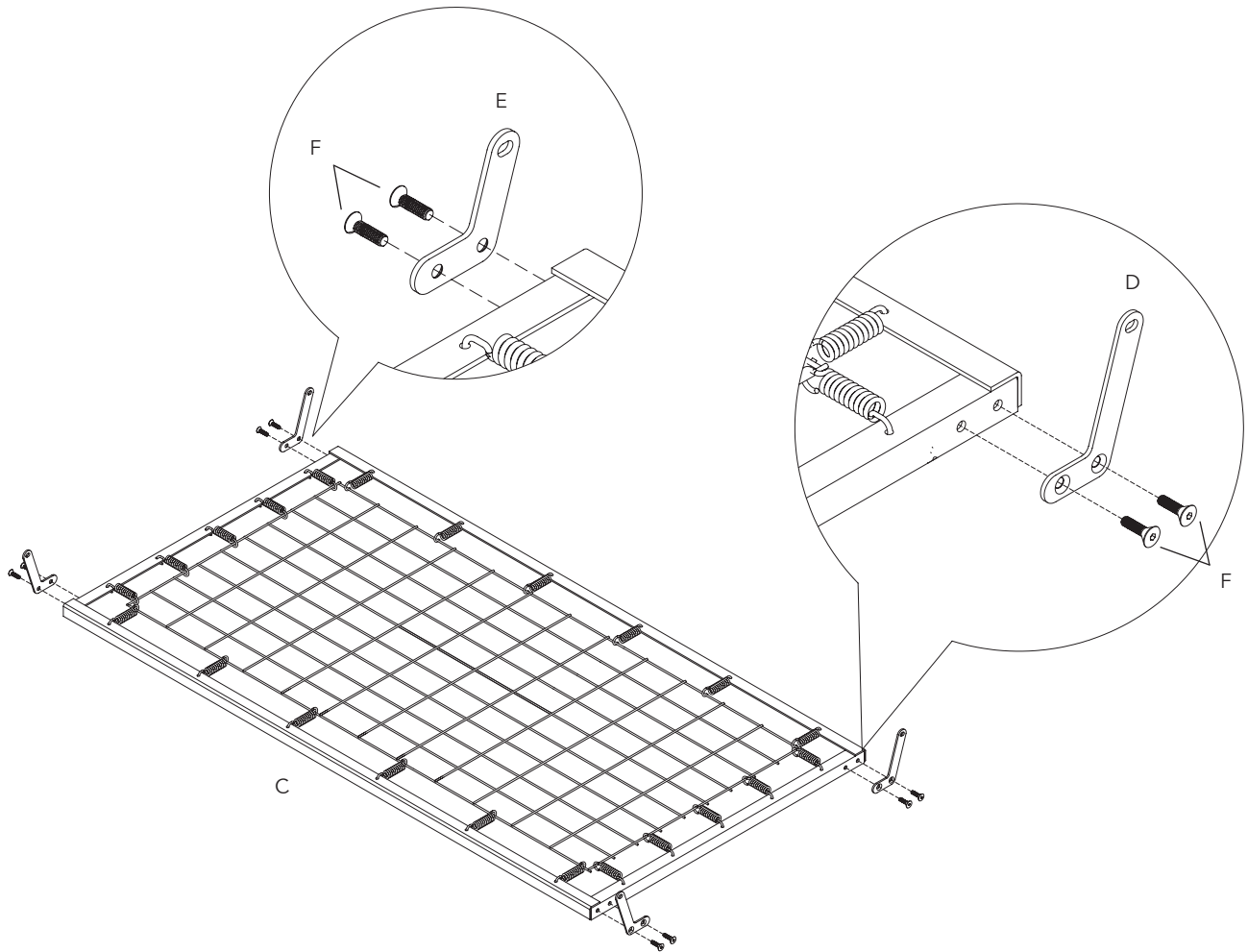
3. Use the Short Allen Bolt (J) and Allen Key (N) to secure each Side Rail (B) to the Headboard and Footboard (A).



# SERENA & LILY

## Ludlow Crib Assembly Instructions

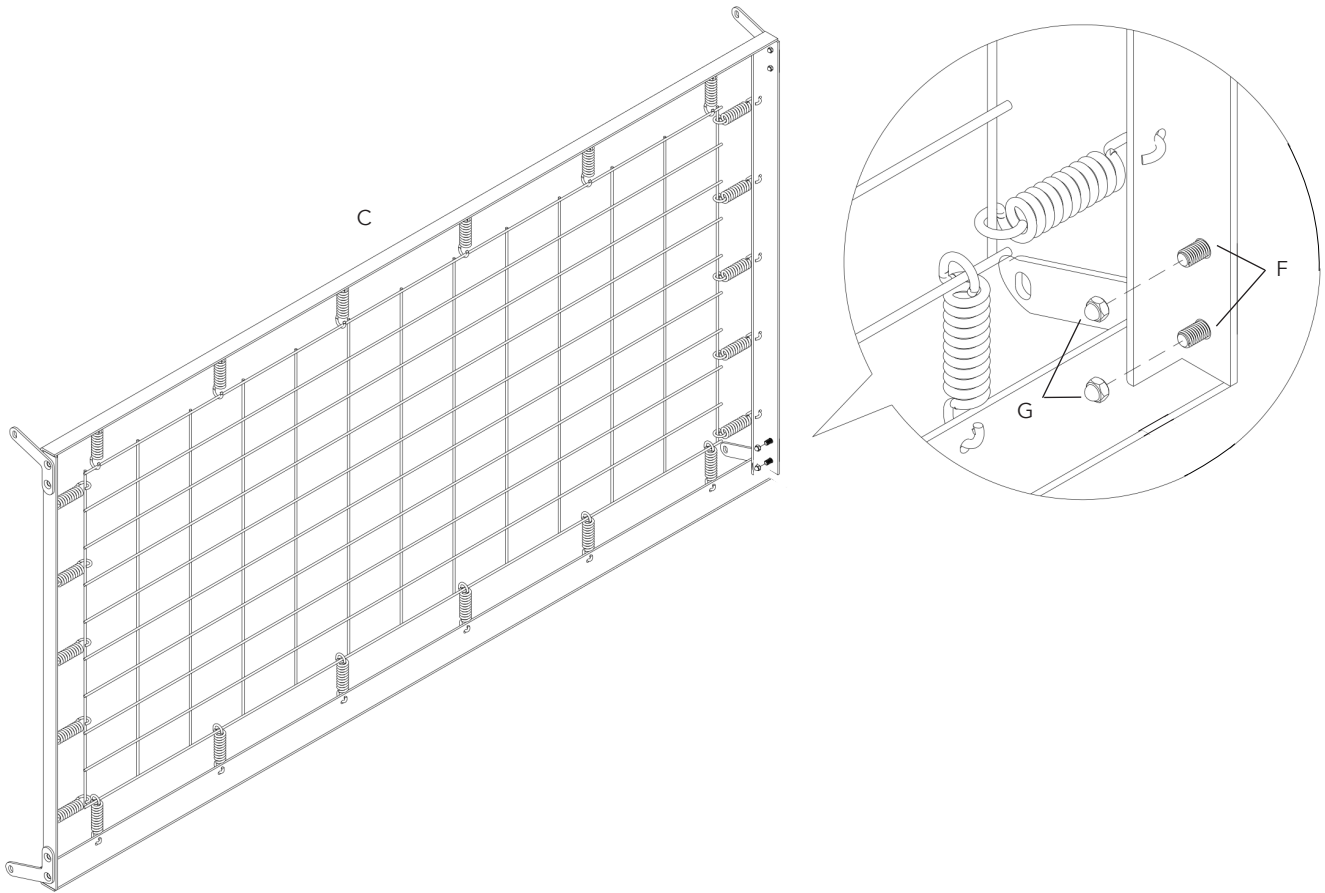
4. Attach the Right Brackets (D) and Left Brackets (E) to the Mattress Support (C) by inserting the Flat Bolt (F) and securing with the Allen Key (N).



# SERENA & LILY

## Ludlow Crib Assembly Instructions

5. Secure the Flat Bolt (F) with the Hex Nut (G) using the Wrench (O) to tighten while holding the Flat Bolt (F) stable with the Allen Key (N).



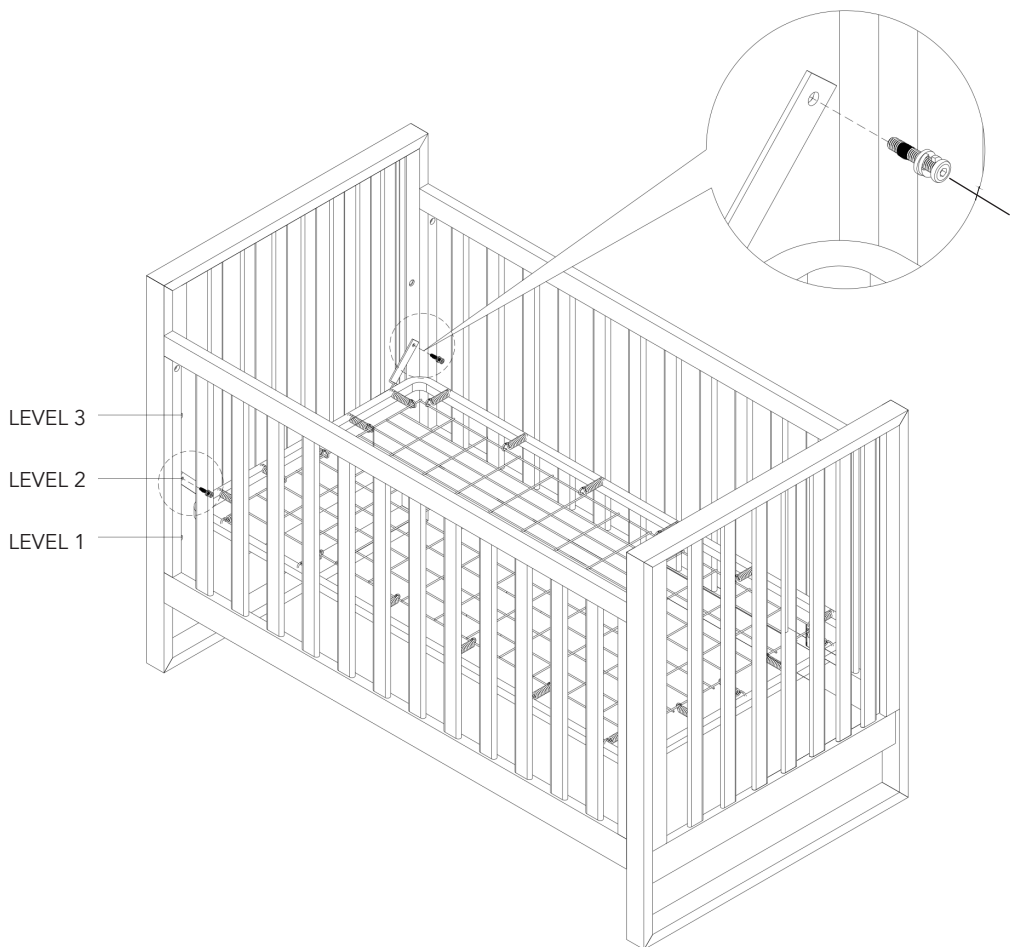
# SERENA & LILY

## Ludlow Crib Assembly Instructions

6. Attach the Mattress Support (C) to the assembled crib frame by aligning the Brackets (D, E) with the receiving holes on the Headboard and Footboard (A). Secure by inserting the Short Allen Bolts with Lock Washer (I) and tightening with the Allen Key (N).

### NOTE

The Mattress Support should be at the highest level (Level 3) when the child is born. It must be at the lowest level (Level 1) before the child can stand up.



### CARE INSTRUCTIONS:

Dust often using a clean, soft, dry lint-free cloth.

Blot spills immediately, and wipe with a clean, damp cloth.

We do not recommend the use of chemical cleaners, abrasives, or furniture polish as these will damage the finish.

Hardware may loosen over time. Periodically check to make sure all connections are tight. Re-tighten if necessary.